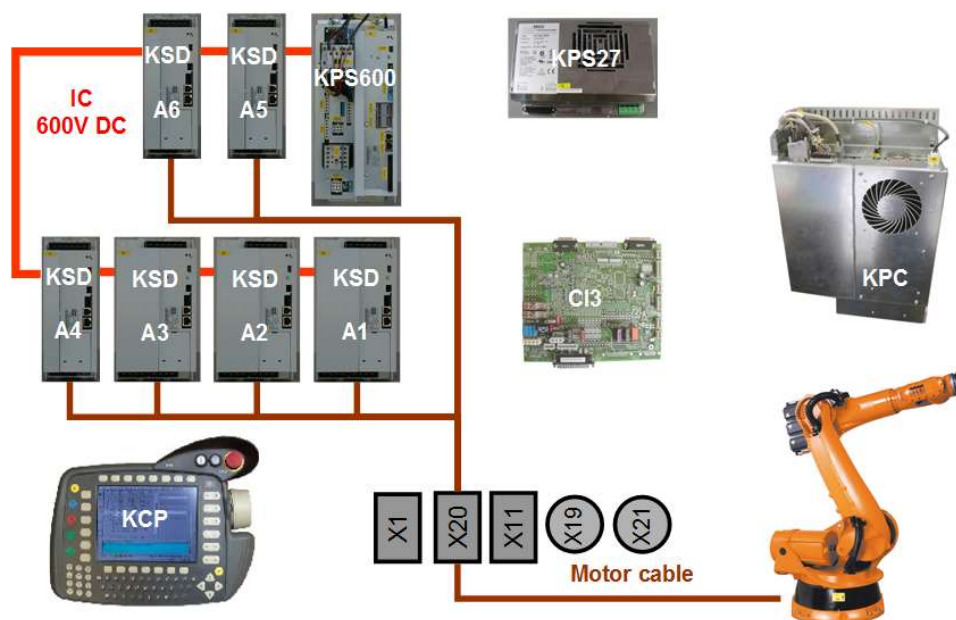


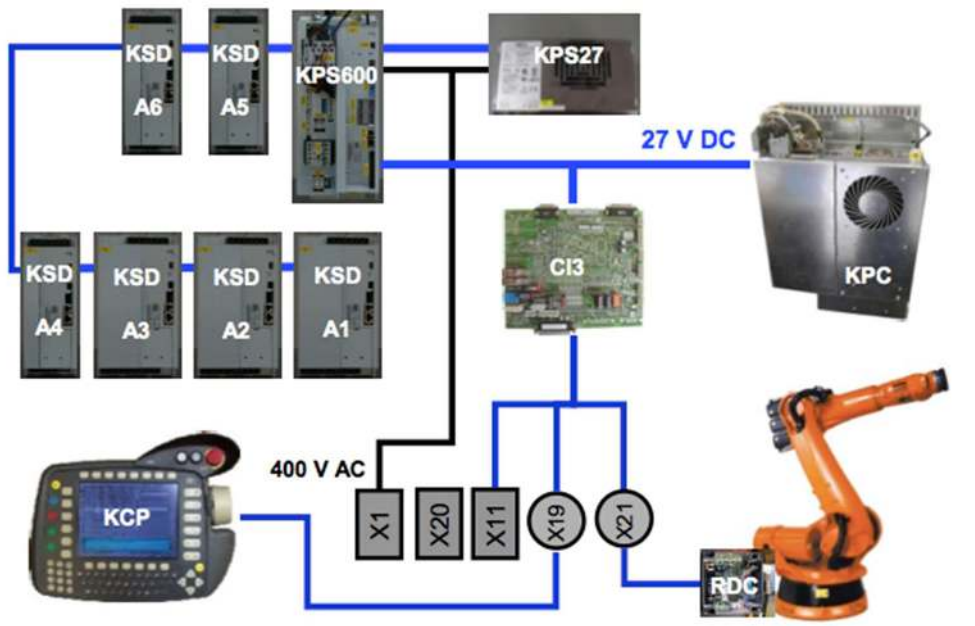
KRC2 KPS 600 (KUKA Power Supply 600V)

KUKA Power Supply for KRC2 Controller.
The board is supplied tested.

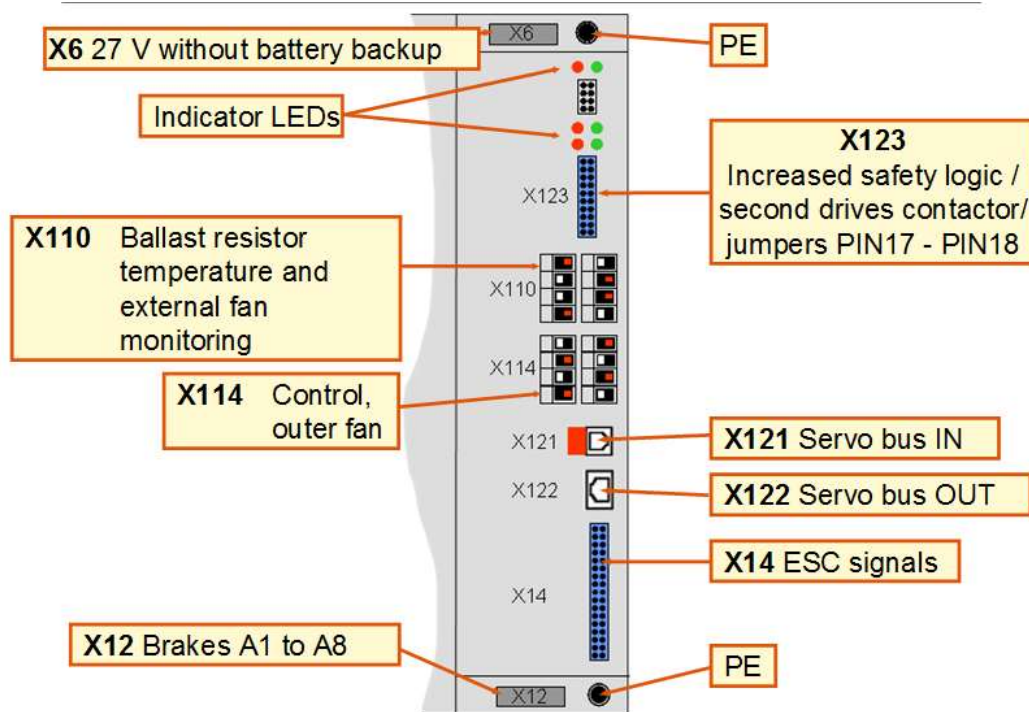
This unit generates both the 600Volts DC link to the motor drives and the 27Volts DC that powers the PC and the other controller equipment. It also handles the charging of the two lead acid batteries.

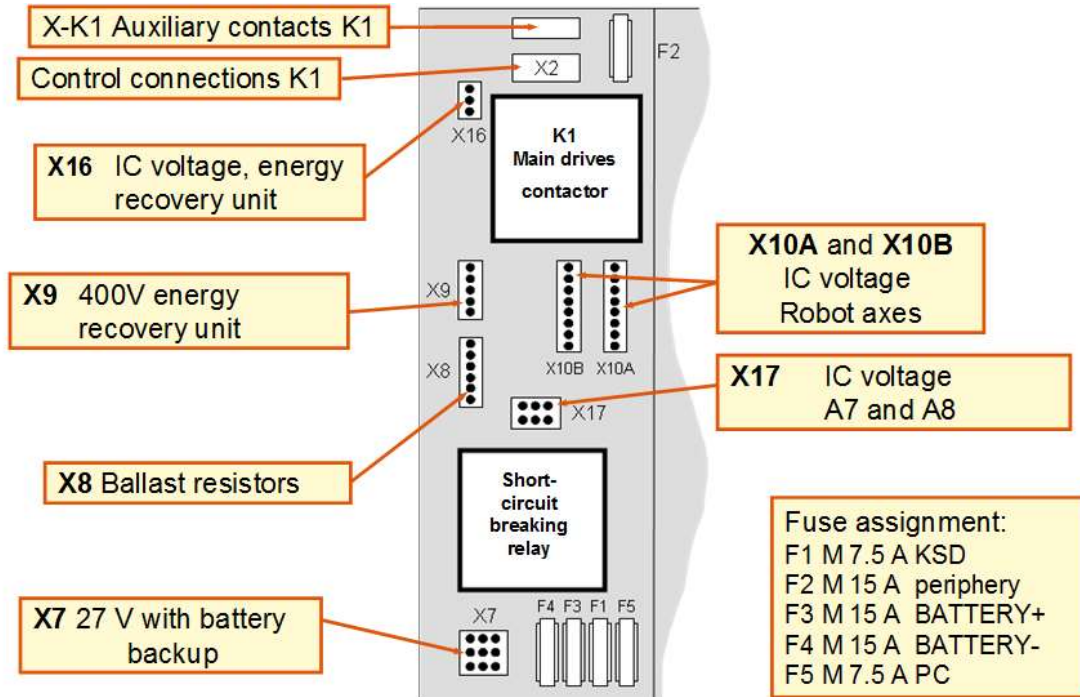
See below for an overview of the 600V DC and 27V DC circuits:





Below is a diagram of the various connectors:

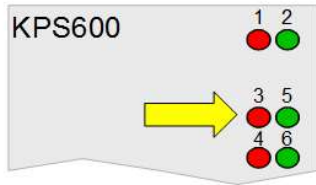




For diagnostics the KPS 600 has several LEDs, below is a diagram showing the location of the these diagnostic LEDs.



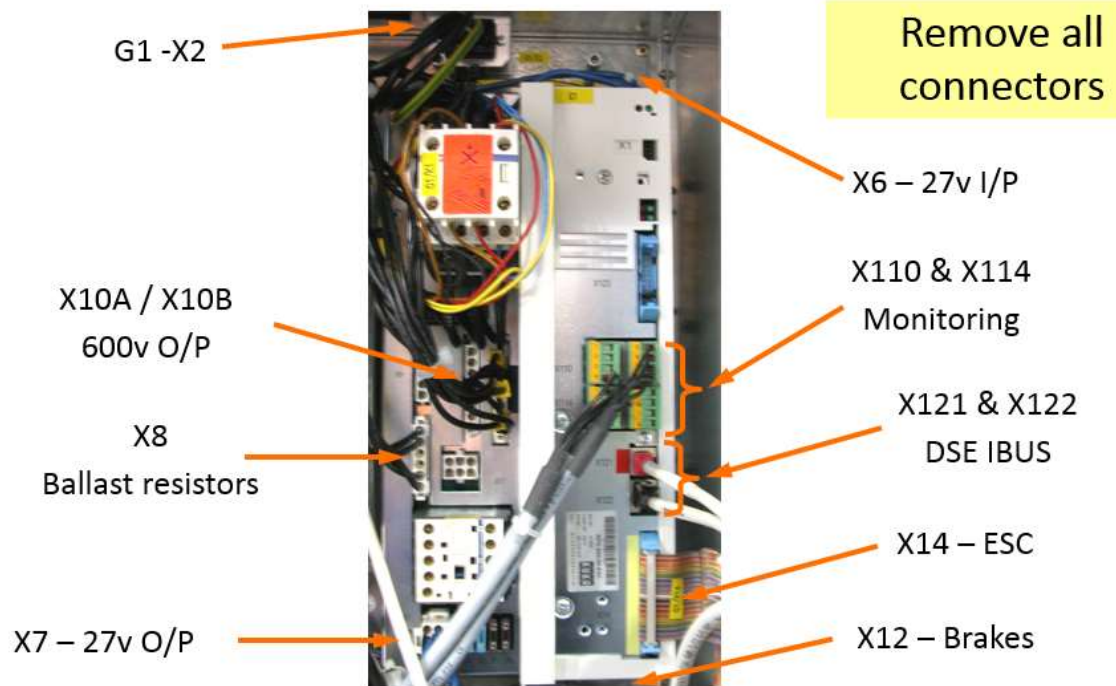
| Green LED 2 | Red LED 1 | Device status |
|-----------------|-------------------------|---|
| Off | Off | Processor without power supply |
| Flashes, 1,5 Hz | X | Intermediate circuit voltage < 60 V |
| On | X | Intermediate circuit voltage > 60 V |
| X | Flashes 6,1 Hz | Communication error |
| X | Flashes 3,1 Hz | Brake error |
| Off | On | K1 stuck |
| X | Flashes 5 times, 1,5 Hz | Ballast monitoring fault |
| X | Flashes 4 times, 1,5 Hz | Ballast error |
| X | Flashes 3 times, 1,5 Hz | Overvoltage in intermediate circuit |
| X | Flashes twice, 1,5 Hz | Overtemperature in interior / heat sink |
| X | Flashes once, 1,5 Hz | Low voltage supply fault |



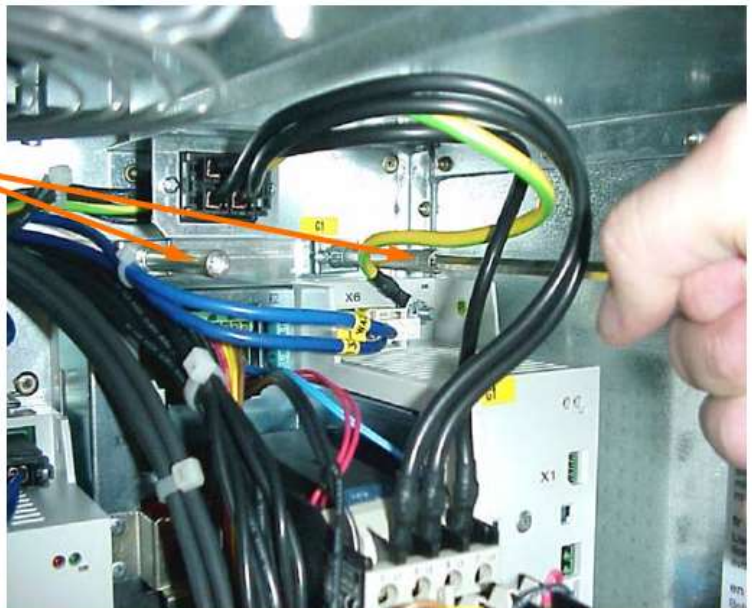
| Status of red LED 3 | Status of red LED 4 | Meaning |
|---------------------|---------------------|--------------------|
| On | Off | External E-STOP |
| On | On | Local E-STOP |
| Off | On | Internal ESC fault |

| | |
|-------------|----------------------|
| Green LED 5 | Brakes robot axis |
| Green LED 6 | Brakes external axis |

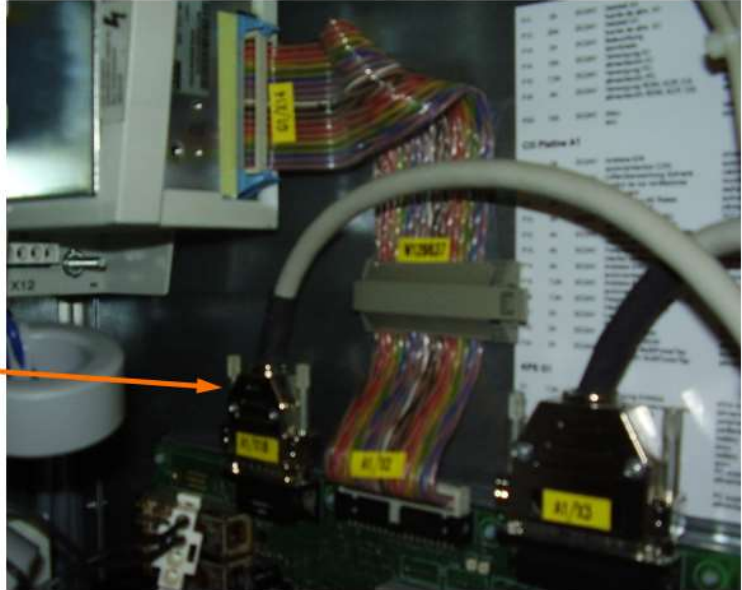
For removal of the KPS 600 see the guide below:



Loosen two locking screws



It is a good idea to disconnect the cable to the top of the ESC before trying to remove the KPS600



Pivot the KPS600 on its lower support to remove it from the back plate



Please contact us for further information.